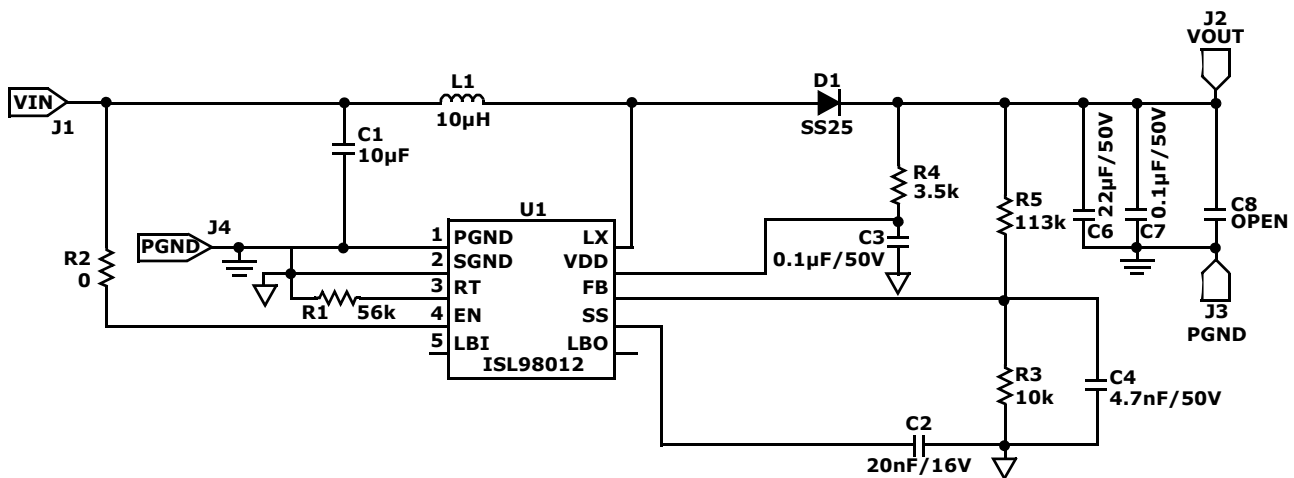


# ISL98012IUZ-EVALZ Evaluation Board User's Guide

This quick start guide pertains to the ISL98012 evaluation board.

1. Apply Input power in the range of 1.8V to 10V between the  $V_{IN}$  and GND post.
2. The Enable pin is pulled up to the input supply via R2, so the part will be enabled as soon as input power is applied.
3. The demo board is programmed to run at a switching frequency of 670kHz that can be modified by replacing R1. See ISL98012 data sheet for more information (FN6654).
4.  $V_{OUT}$  is configured for 15V between the  $V_{OUT}$  and GND post and can provide up to a few hundred millamps depending on the input supply voltage.
5. The demo board schematic is shown in Figure 1, the demo board photo in shown in Figure 2, the top layer layout is shown in Figure 3 and the bottom layer is shown in Figure 4.



**FIGURE 1. ISL98012 EVALUATION BOARD SCHEMATIC**



**FIGURE 2. ISL98012 EVALUATION BOARD PHOTO**

## ISL98012 Evaluation Board Layout

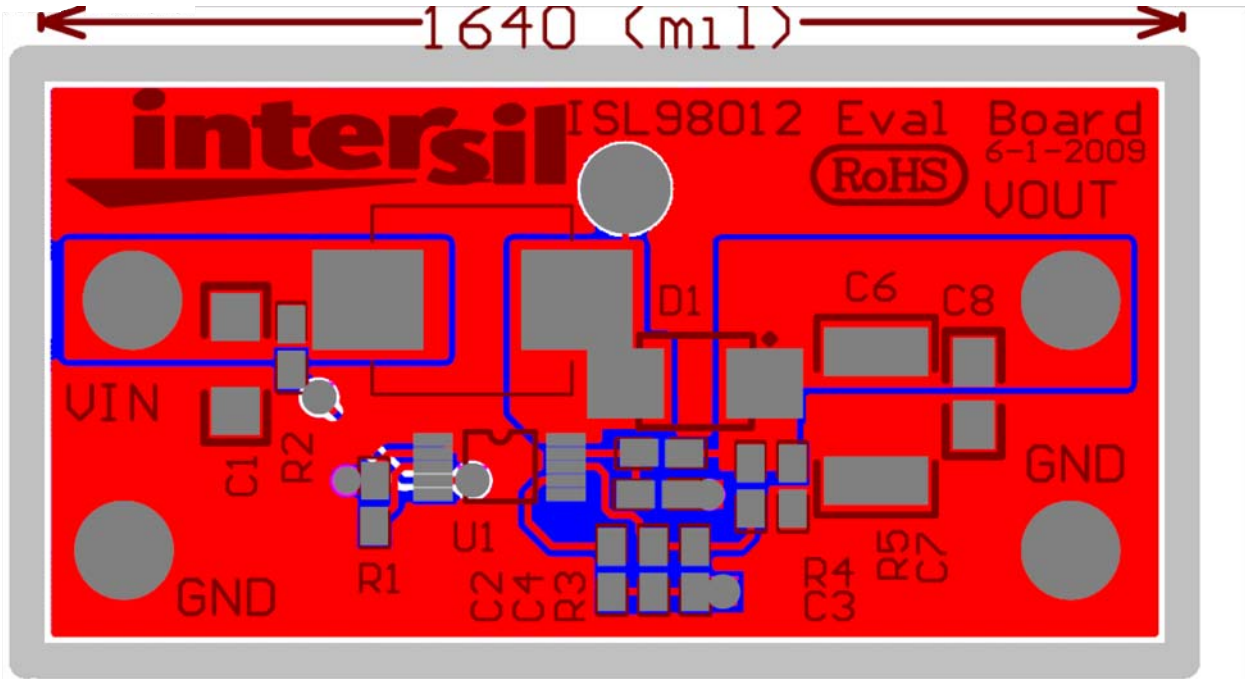


FIGURE 3. ISL98012 EVALUATION BOARD TOP LAYER

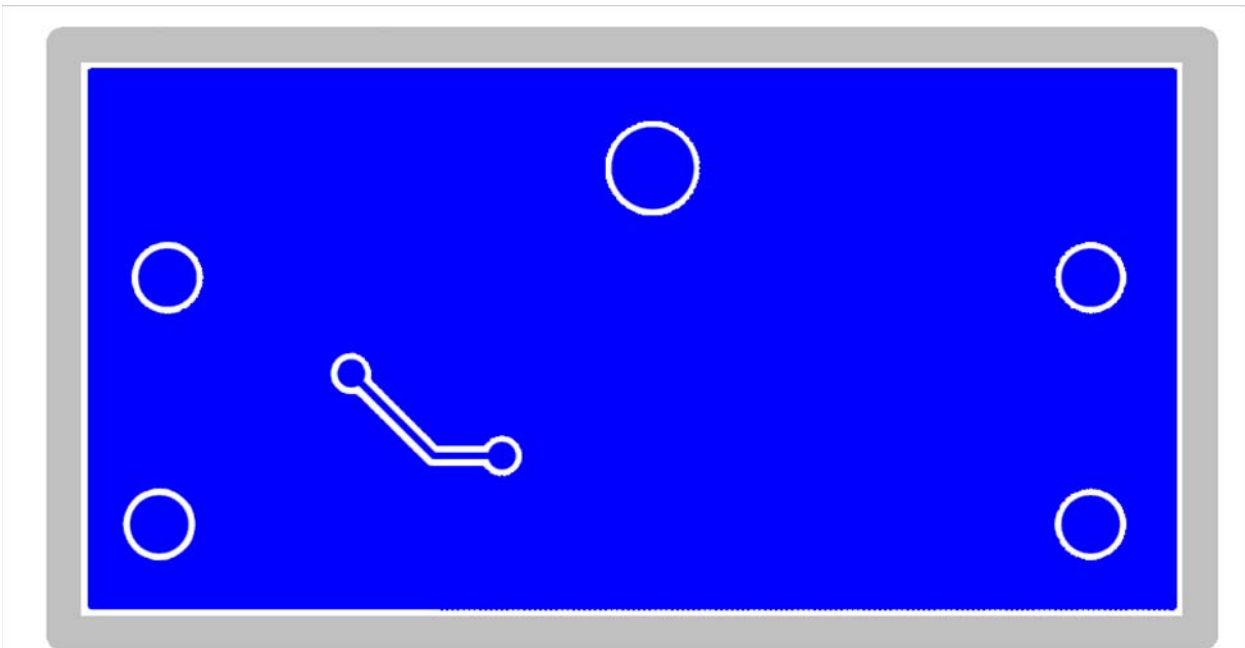


FIGURE 4. ISL98012 EVALUATION BOARD BOTTOM LAYER

Intersil Corporation reserves the right to make changes in circuit design, software and/or specifications at any time without notice. Accordingly, the reader is cautioned to verify that the Application Note or Technical Brief is current before proceeding.

For information regarding Intersil Corporation and its products, see [www.intersil.com](http://www.intersil.com)